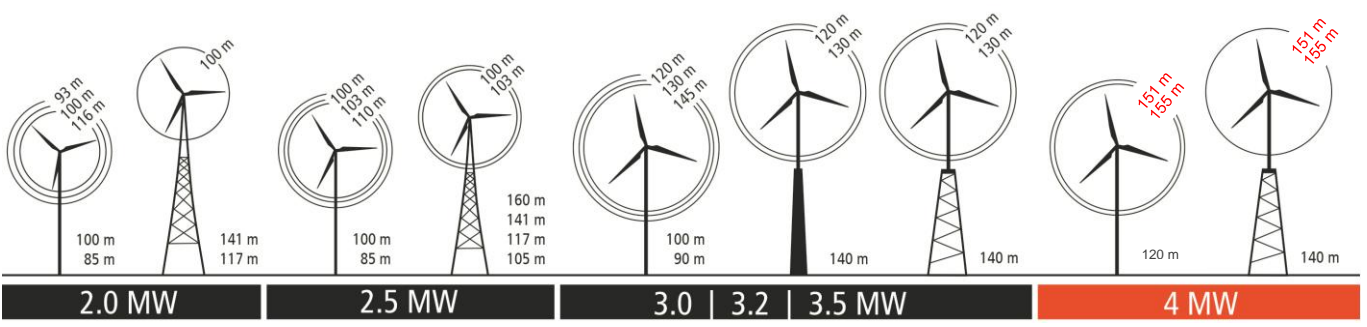
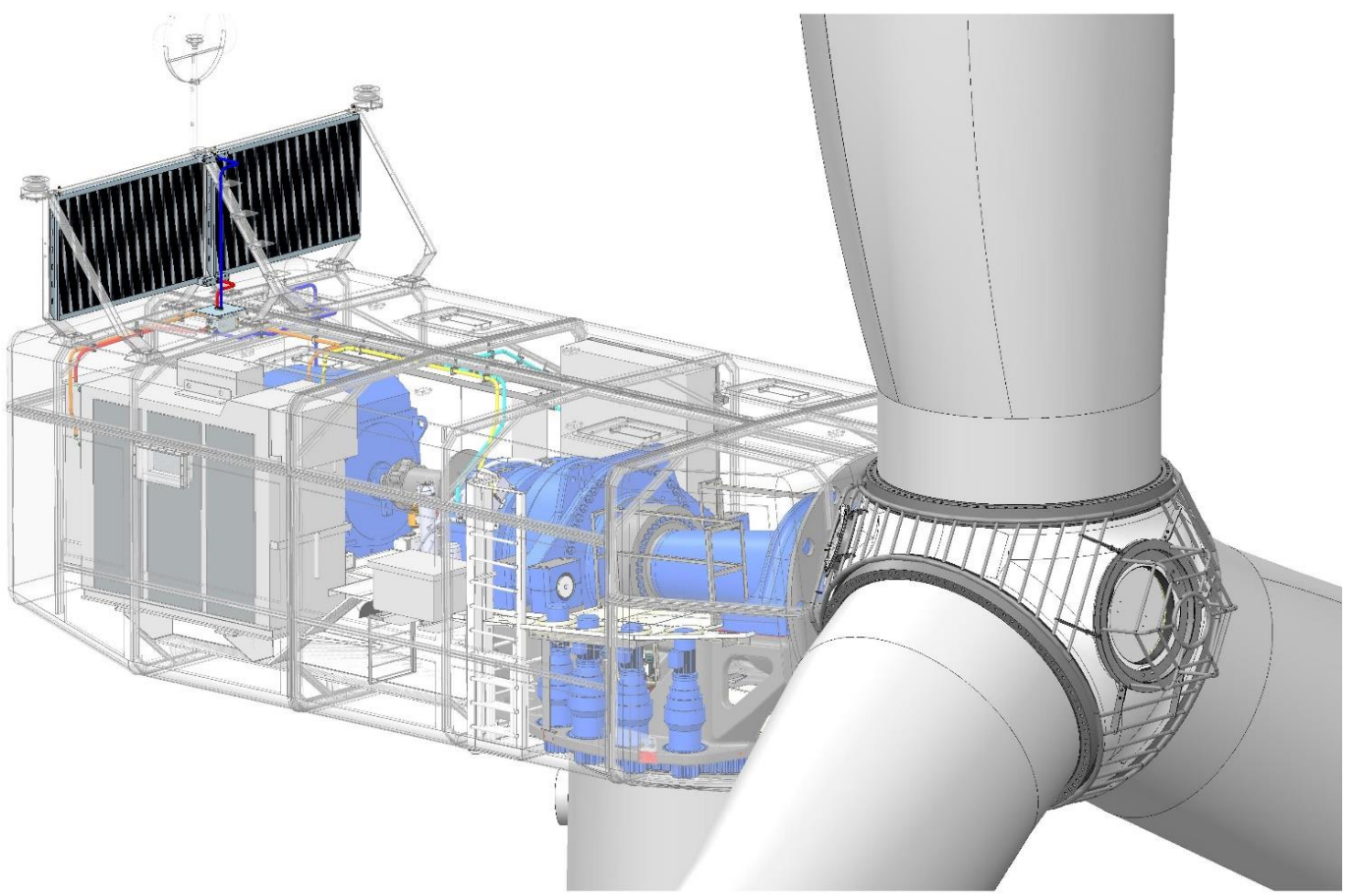


Rated power: 4.8 MW  
 Rotor diameter: 151 m  
 Wind class: IEC 3a / 2b



**TAKE A LICENCE.** >>>>



## TECHNICAL DATA

Rated power	Up to 4.8 MW (depending on wind park topology and regional conditions)
Rotor	151 m
Wind class	IEC 3a / 2b
Cut-in wind speed	3 m/s
Rated wind speed	13 m/s
Cut-out wind speed	20 m/s
Sound power	110.2 db(A)
Hub height	120 m tubular tower
Drive train concept	3-point suspension
Electrical configuration	Doubly-fed induction generator (DFIG) / IGBT converter
Power control - LARUS Smart®	Triple independent pitch system
Safety System - LARUS Safe®	Matrix safety system acc. to GL guideline, ed. 2010

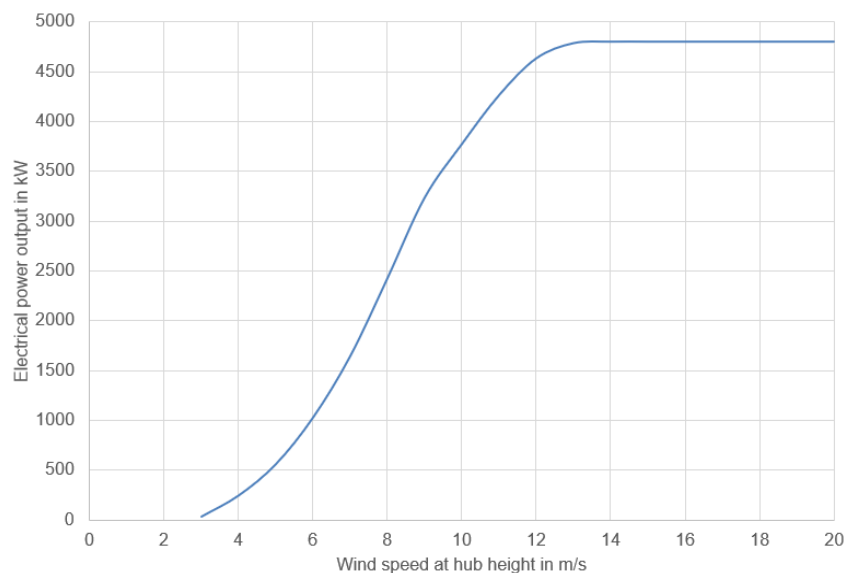
## POWER CURVES\*

V <sub>WIND</sub> [m/s]	Power [kW]
3	31
4	243
5	558
6	1,026
7	1,643
8	2,425
9	3,234
10	3,772
11	4,263
12	4,633
13	4,785
14	4,800
15	4,800
20	4,800

## ANNUAL YIELD\*

V <sub>WIND</sub> [m/s]	Yield [MWh]
5.0	8,435
5.5	10,469
6.0	12,510
6.5	14,496
7.0	16,380
7.5	18,122
8.0	19,692
8.5	21,068

\* Standard conditions and calculations acc. to IEC 61400-12



## Editor:

W2E Wind to Energy GmbH  
Grubenstraße 44

18055 Rostock | Germany

[www.wind-to-energy.de](http://www.wind-to-energy.de)