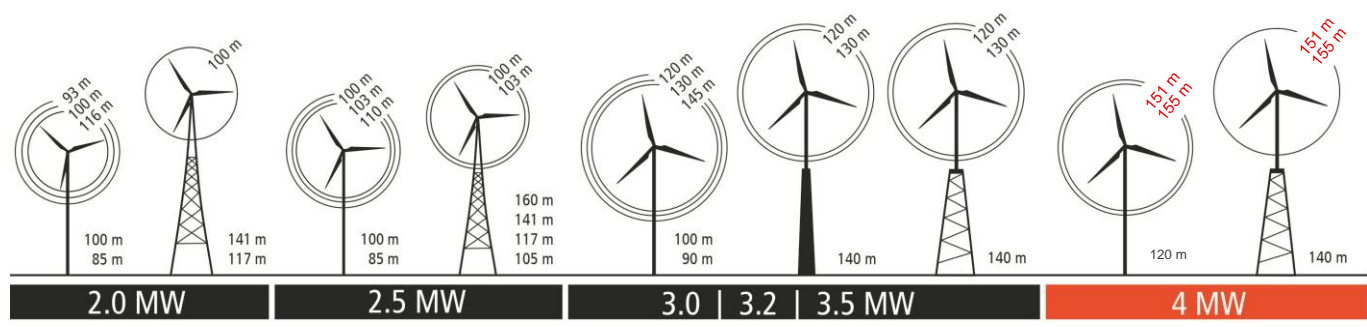
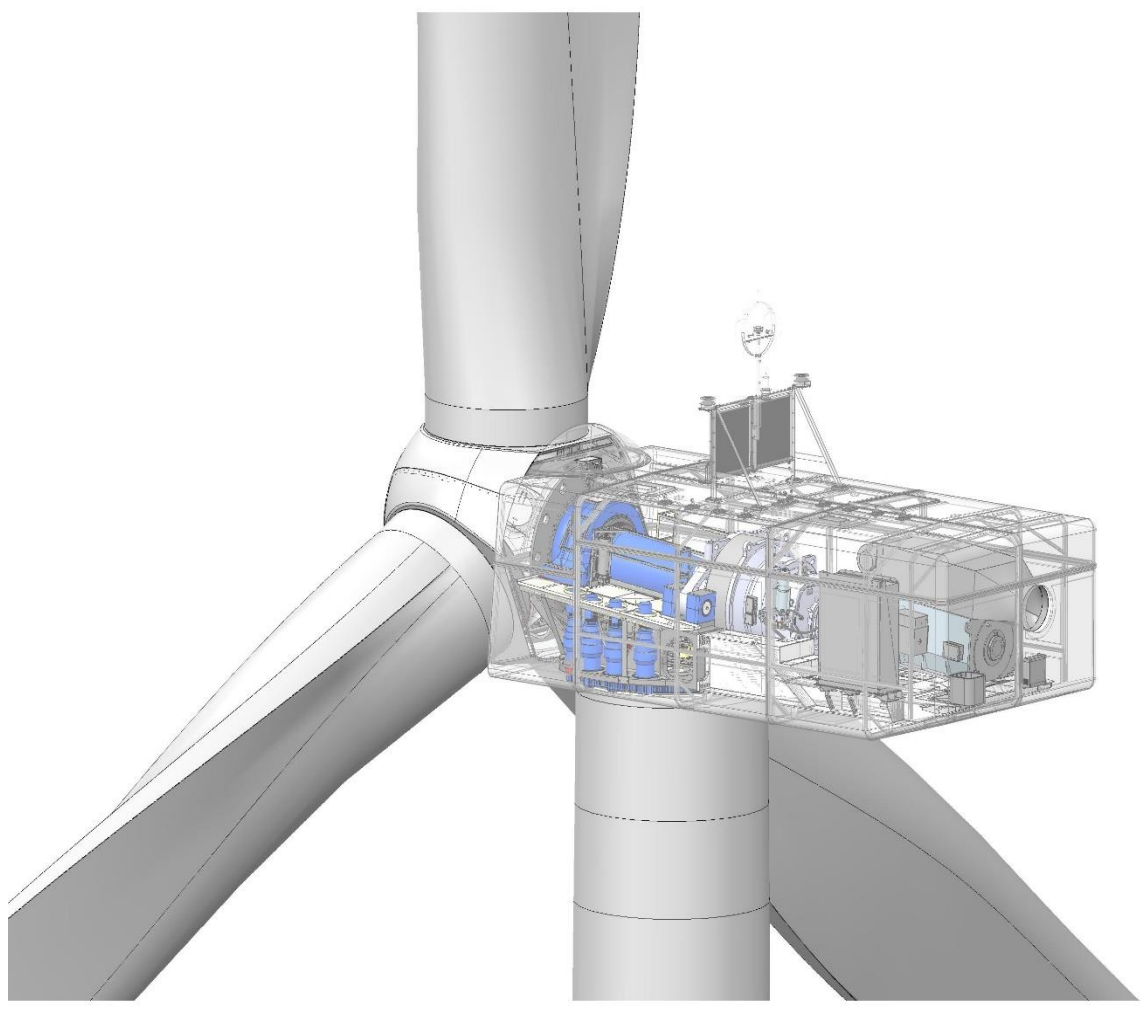


Rated power: 4.5 MW
 Rotor diameter: 155 m
 Wind class: IEC 3a / 2c



TAKE A LICENCE.



TECHNICAL DATA

Rated power	4.5 MW
Rotor	155 m
Wind class	IEC 3a / 2c
Cut-in wind speed	3 m/s
Rated wind speed	13.0 m/s
Cut-out wind speed	22 m/s
Sound power	110.2 db(A) / -2.0 dB(A) with serrations
Hub height	120 m tubular tower
Drive train concept	3-point suspension
Electrical configuration	Squirrel cage induction generator / full-size converter
Power control - LARUS Smart®	Triple independent pitch system
Safety System - LARUS Safe®	Matrix safety system acc. to GL guideline, ed. 2010

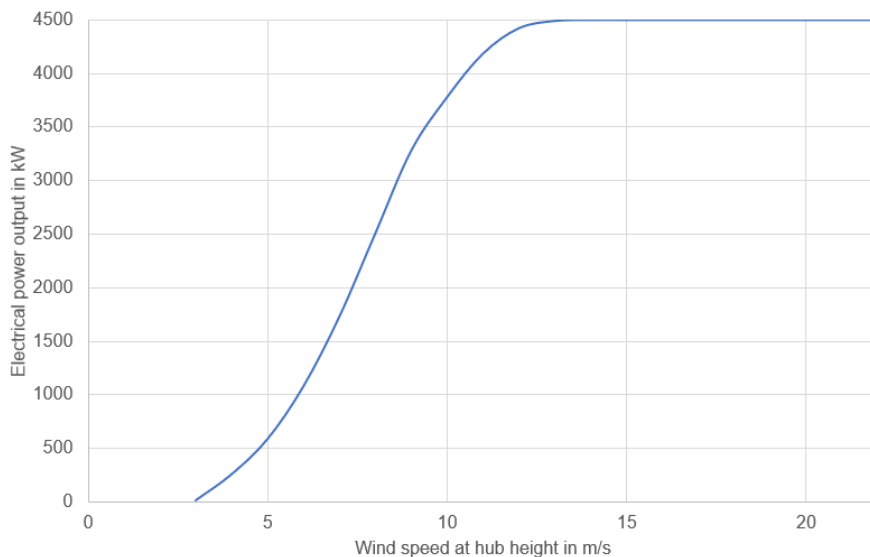
POWER CURVES*

V _{WIND} [m/s]	Power [kW]
3	13
4	257
5	586
6	1,078
7	1,728
8	2,504
9	3,278
10	3,778
11	4,185
12	4,422
13	4,491
14	4,500
15	4,500
22	4,500

ANNUAL YIELD*

V _{WIND} [m/s]	Yield [MWh]
5.0	8,608
5.5	10,616
6.0	12,602
6.5	14,514
7.0	16,307
7.5	17,949
8.0	19,416
8.5	20,691

* Standard conditions and calculations acc. to IEC 61400-12



Editor:

W2E Wind to Energy GmbH
Grubenstraße 44

18055 Rostock | Germany

www.wind-to-energy.de