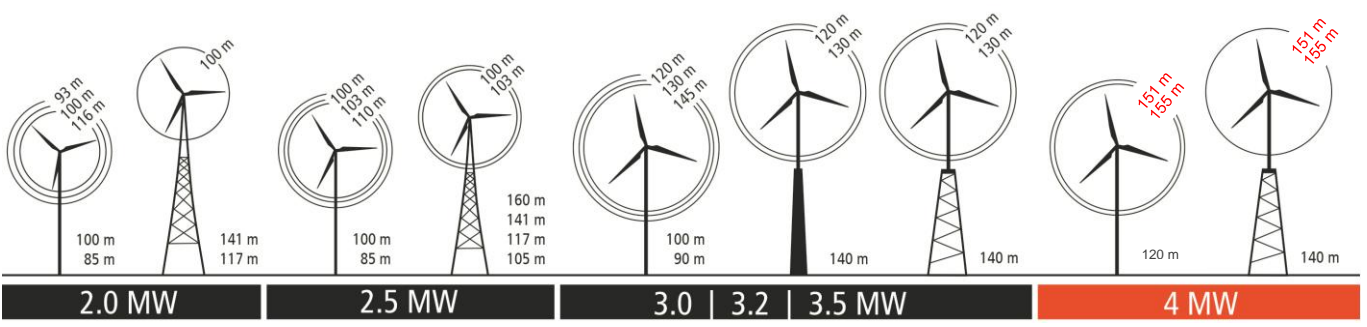
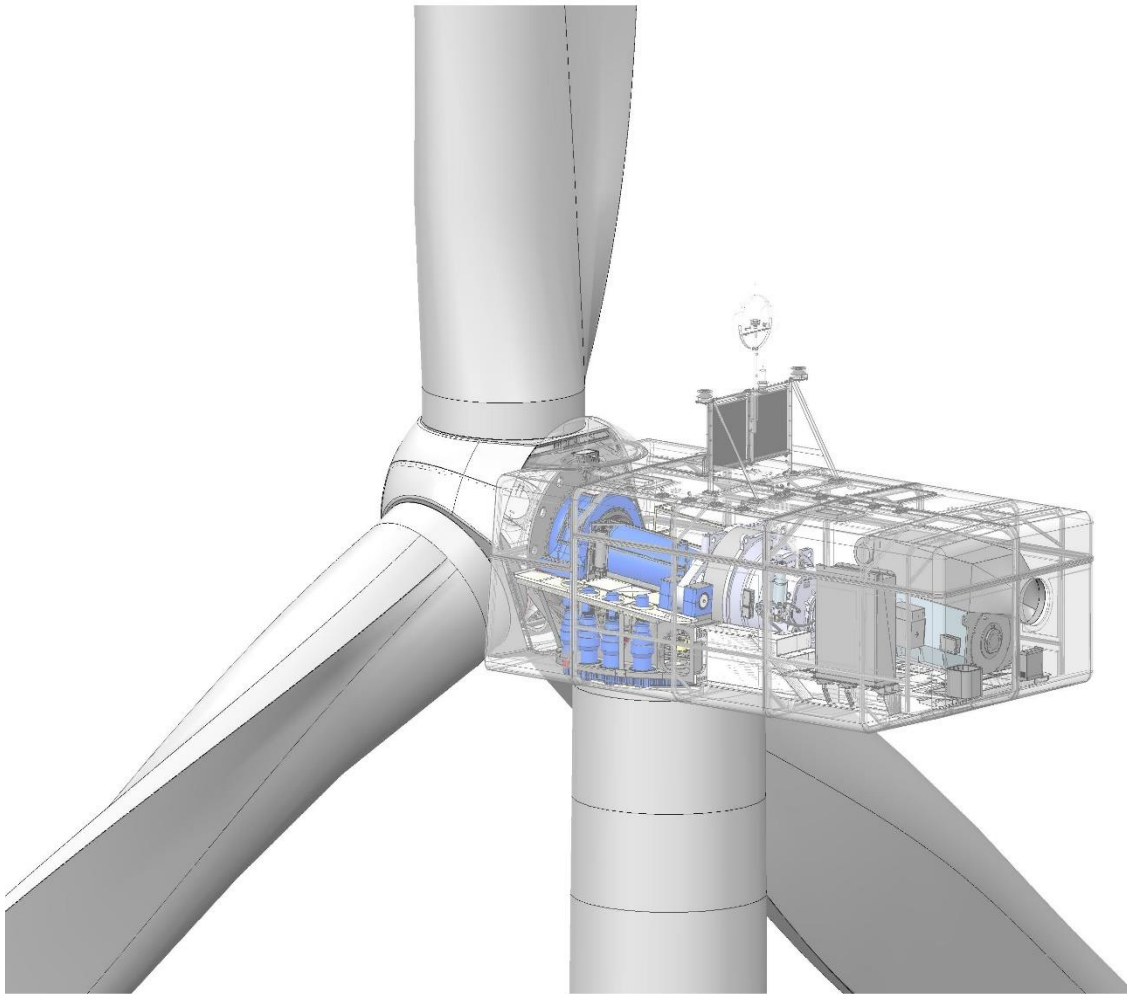


Rated power: 4.8 MW
 Rotor diameter: 151 m
 Wind class: IEC 3a / 2b



TAKE A LICENCE.



TECHNICAL DATA

Rated power	4.8 MW
Rotor	151 m
Wind class	IEC 3a / 2b
Cut-in wind speed	3 m/s
Rated wind speed	13.5 m/s
Cut-out wind speed	20 m/s
Sound power	110.2 db(A)
Hub height	120 m tubular tower
Drive train concept	3-point suspension
Electrical configuration	Squirrel cage induction generator / full-size converter
Power control - LARUS Smart®	Triple independent pitch system
Safety System - LARUS Safe®	Matrix safety system acc. to GL guideline, ed. 2010

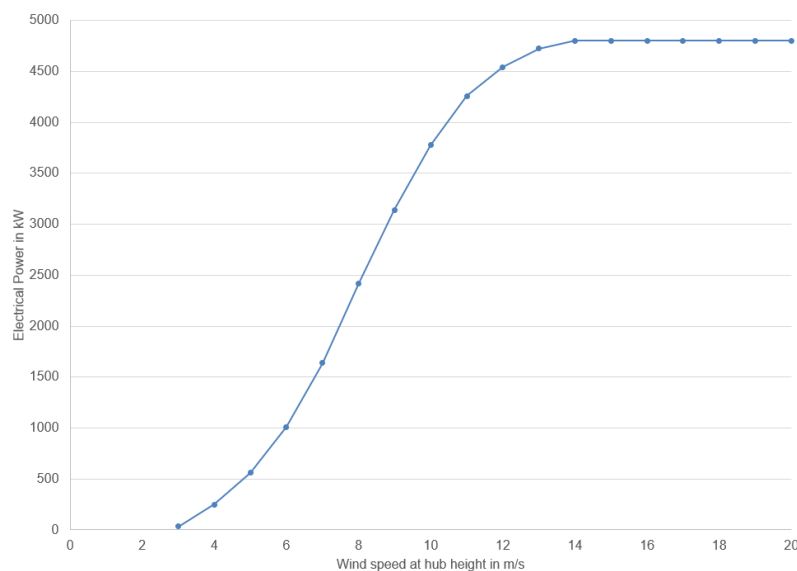
POWER CURVES*

V _{WIND} [m/s]	Power [kW]
3	35
4	249
5	560
6	1011
7	1638
8	2420
9	3142
10	3776
11	4258
12	4542
13	4723
14	4800
15	4800
20	4800

ANNUAL YIELD*

V _{WIND} [m/s]	Yield [MWh]
5.0	8261
5.5	10291
6.0	12329
6.5	14313
7.0	16194
7.5	17931
8.0	19494
8.5	20858

* Standard conditions and calculations acc. to IEC 61400-12



Editor:

W2E Wind to Energy GmbH
Grubenstraße 44

18055 Rostock | Germany

www.wind-to-energy.de