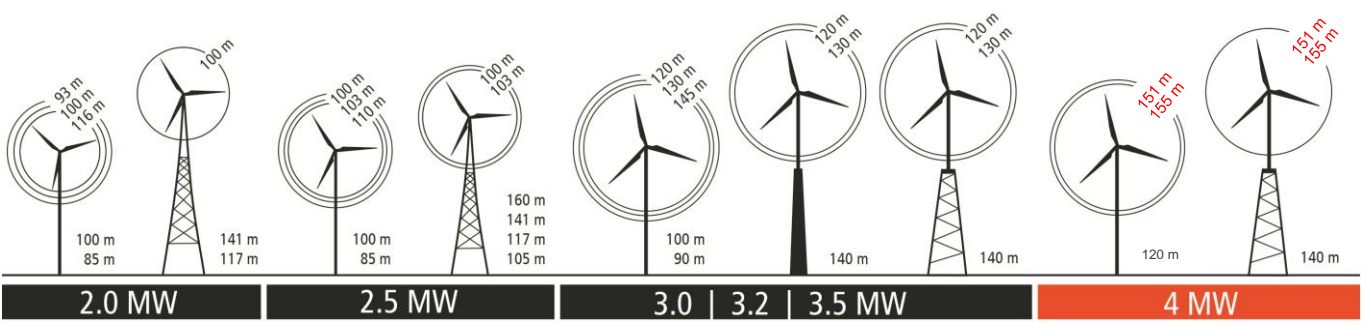
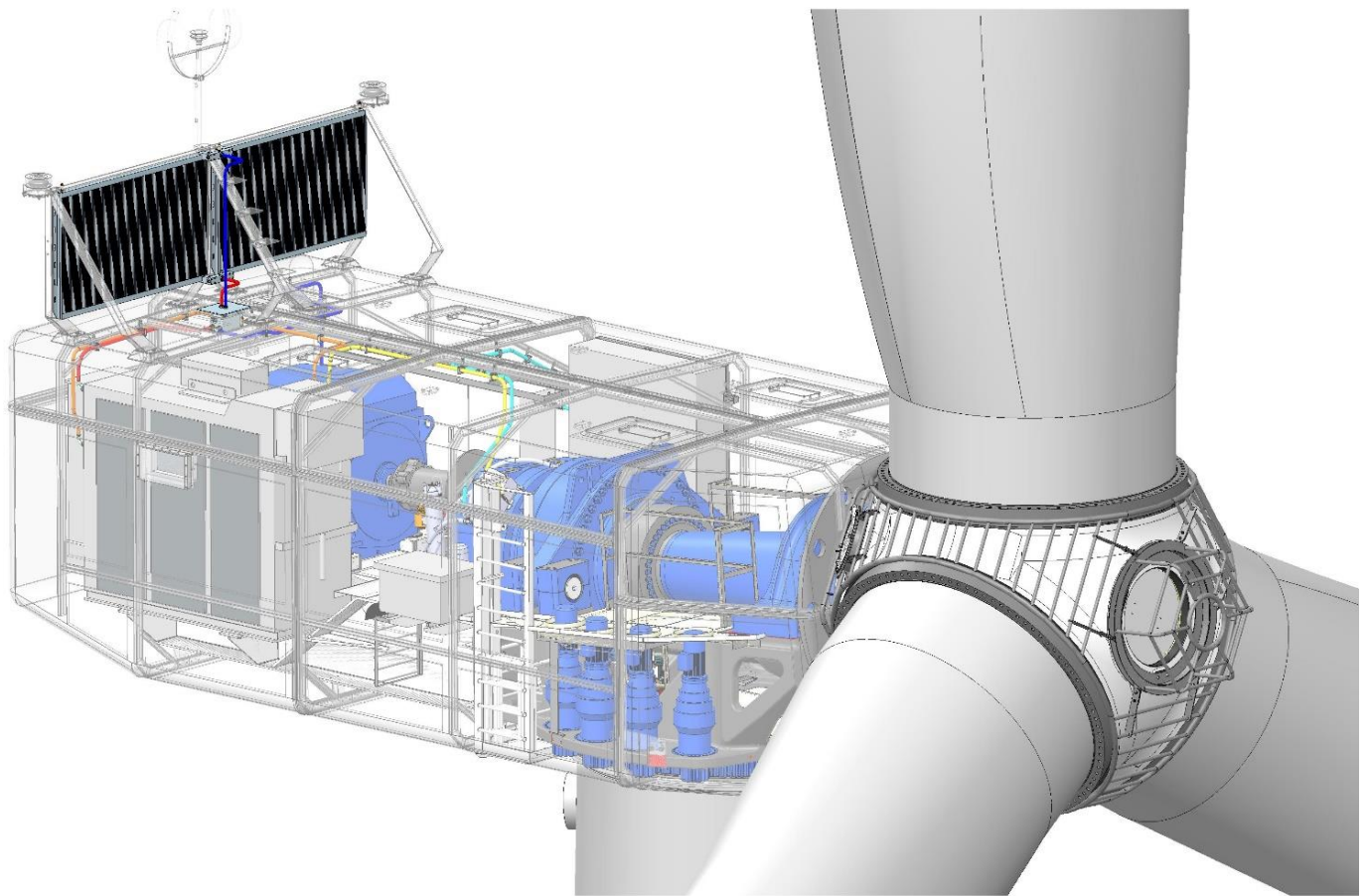


Rated power: 4.8 MW  
 Rotor diameter: 151 m  
 Wind class: IEC 3a / 2b



**TECHNOLOGY ON DEMAND**



## TECHNICAL DATA

Rated power	Up to 4.8 MW (depending on wind park topology and regional conditions)
Rotor	151 m
Wind class	IEC 3a / 2b
Cut-in wind speed	3 m/s
Rated wind speed	13 m/s
Cut-out wind speed	20 m/s
Sound power	110.2 db(A) (noise reduced modes available)
Hub height	120 m tubular tower
Drive train concept	3-point suspension
Electrical configuration	Doubly-fed induction generator (DFIG) / IGBT converter
Power control - LARUS Smart <sup>®</sup>	Triple independent pitch system
Safety System - LARUS Safe <sup>®</sup>	Matrix safety system acc. to GL guideline, ed. 2010

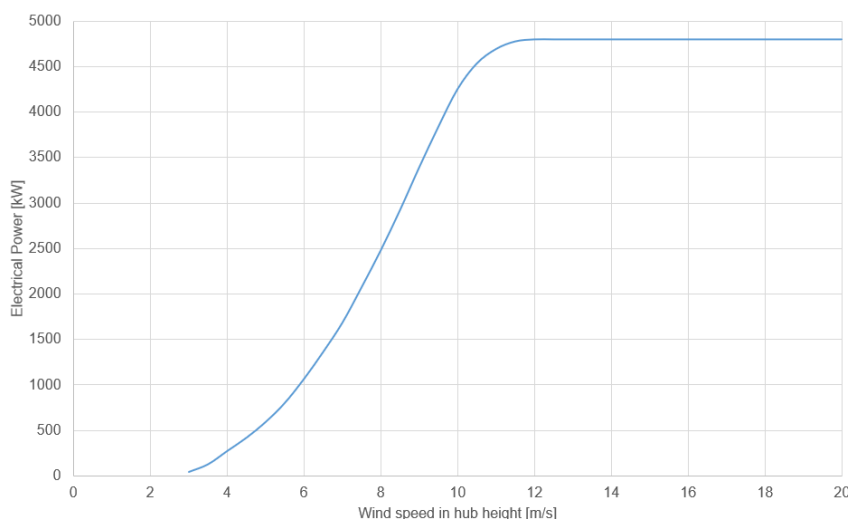
## POWER CURVES\*

$V_{WIND}$ [m/s]	Power [kW]
3	45.9
4	276.1
5	594.5
6	1068.8
7	1687.3
8	2483.3
9	3394.5
10	4255.5
11	4694.5
12	4800.0
13	4800.0
14	4800.0
15	4800.0
20	4800.0

## ANNUAL YIELD\*

VWIND [m/s]	Yield [MWh]
5.0	8914
5.5	11059
6.0	13199
6.5	15269
7.0	17216
7.5	19001
8.0	20597
8.5	21985

\* Standard conditions and calculations acc. to IEC 61400-12



## Editor:

W2E Wind to Energy GmbH  
Grubenstraße 44

18055 Rostock | Germany

[www.wind-to-energy.de](http://www.wind-to-energy.de)