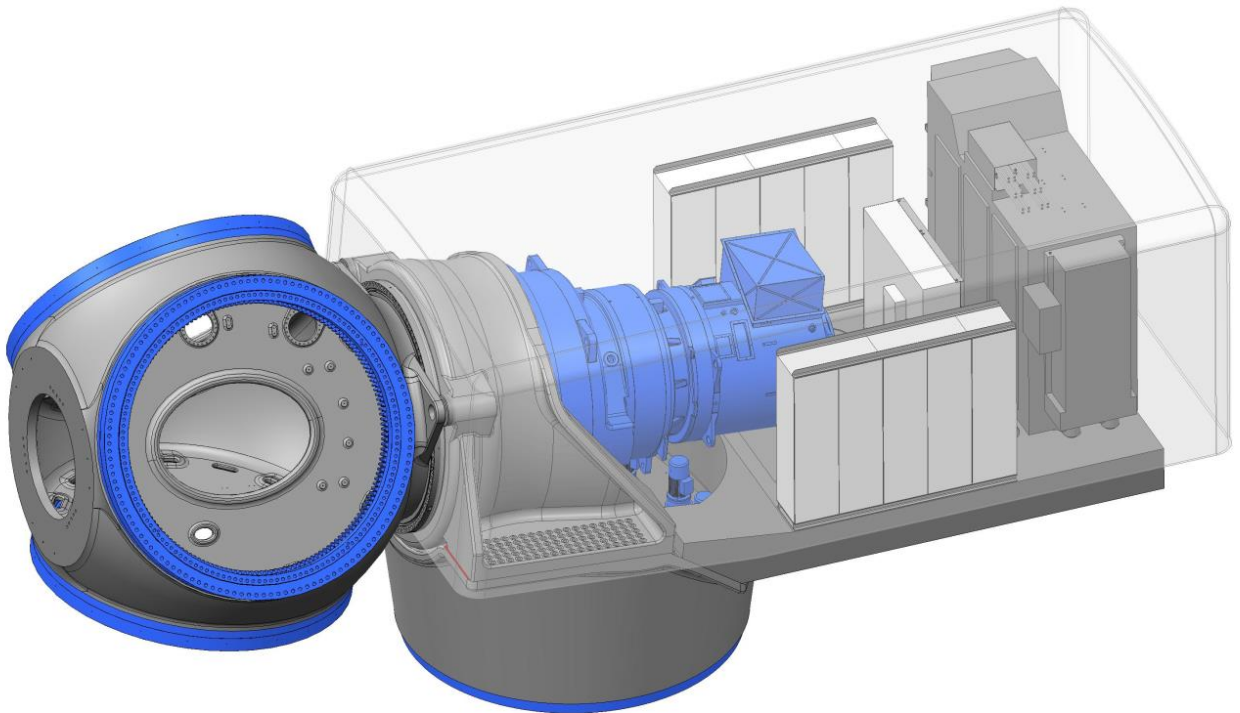


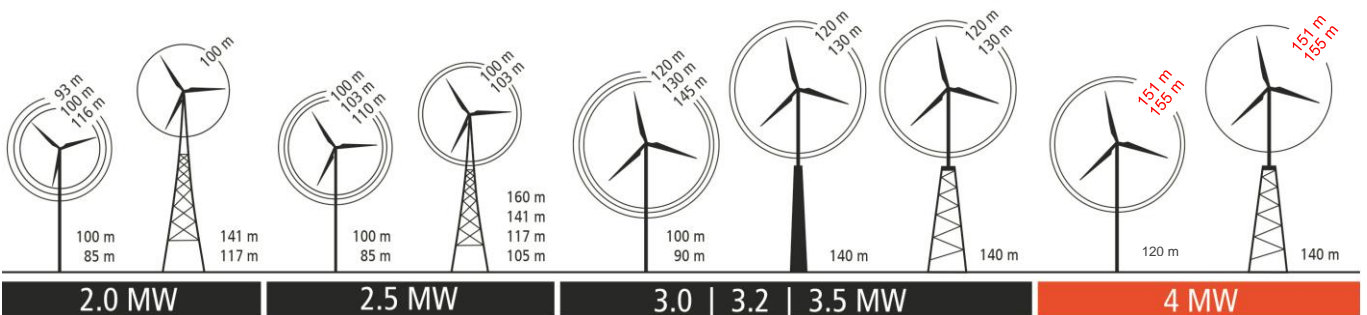
Rated power: 6.0 MW  
 Rotor diameter: 185 m  
 Wind class: IEC 3a / 2b



**TECHNOLOGY ON DEMAND**



Nacelle Configuration shown: Single Moment Bearing (3-Row CRB or 2-Row TRB) with Medium-speed PMG



## TECHNICAL DATA

Rated power	6.0 MW (higher power ratings optional)
Rotor	185 m
Wind class	IEC 3a / 2b
Cut-in wind speed	3 m/s
Rated wind speed	12 m/s
Cut-out wind speed	25 m/s
Sound power	Subject to selected power rating
Hub height	Up to 160m
Drive train concept	2TRB or 3-Row CRB / 2-Row TRB, <b>LARUS Compact</b> <sup>®</sup>
Electrical configuration	Medium-speed PMG or DFIG, SCIG / IGBT converter
Power control - LARUS Smart <sup>®</sup>	Triple independent pitch system
Safety System - LARUS Safe <sup>®</sup>	Matrix safety system acc. to GL guideline, ed. 2010

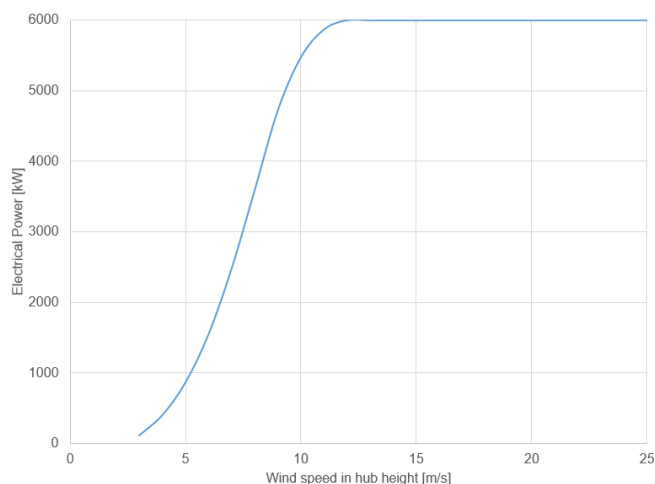
## POWER CURVES\*

V <sub>WIND</sub> [m/s]	Power [kW]
3	120
4	406
5	868
6	1549
7	2480
8	3590
9	4718
10	5472
11	5868
12	5999
13	6000
14	6000
15	6000
25	6000

## ANNUAL YIELD\*

V <sub>WIND</sub> [m/s]	Yield [MWh]
5.0	12339
5.5	15162
6.0	17933
6.5	20584
7.0	23073
7.5	25377
8.0	27485
8.5	29392

\* Standard conditions and calculations acc. to IEC 61400-12



## Editor:

W2E Wind to Energy GmbH  
Grubenstraße 44

18055 Rostock | Germany

[www.wind-to-energy.de](http://www.wind-to-energy.de)