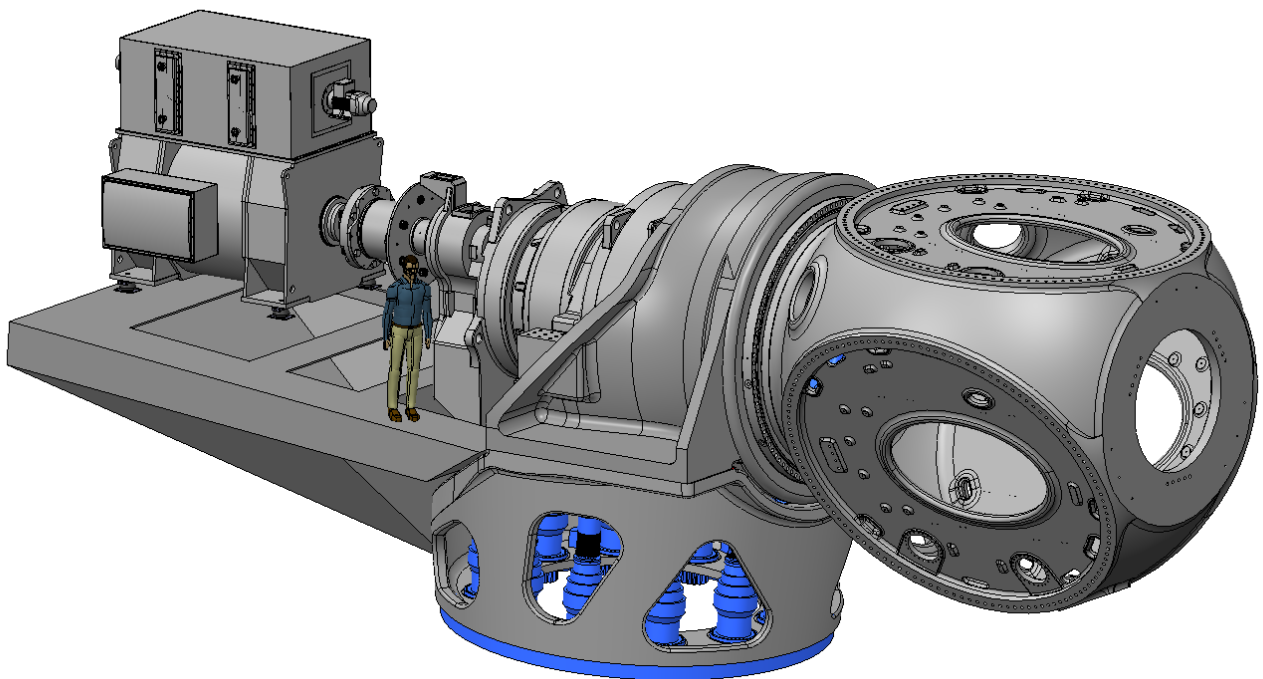


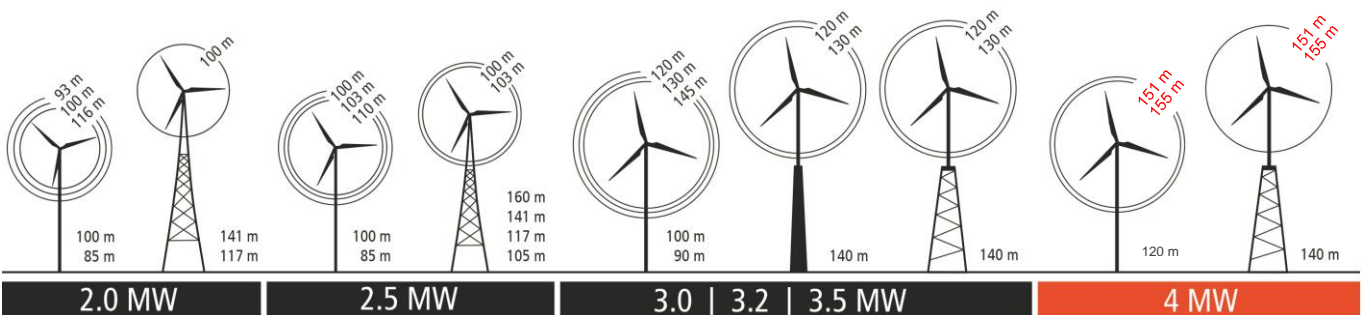
Rated power: 8.0 MW
 Rotor diameter: 171 m
 Wind class: IEC 2a / 1b



TECHNOLOGY ON DEMAND



Note: For illustration of drivetrain and support structure only, further details in progress



TECHNICAL DATA

Rated power	Up to 8.0 MW
Rotor	171 m
Wind class	IEC 2a / 1b
Cut-in wind speed	3 m/s
Rated wind speed	14.5 m/s
Cut-out wind speed	25 m/s
Sound power	Subject to selected power rating
Hub height	Up to 160m
Drive train concept	Single moment bearing, LARUS Compact [®]
Electrical configuration	DFIG or SCIG / IGBT converter
Power control - LARUS Smart [®]	Triple independent pitch system
Safety System - LARUS Safe [®]	Matrix safety system acc. to GL guideline, ed. 2010

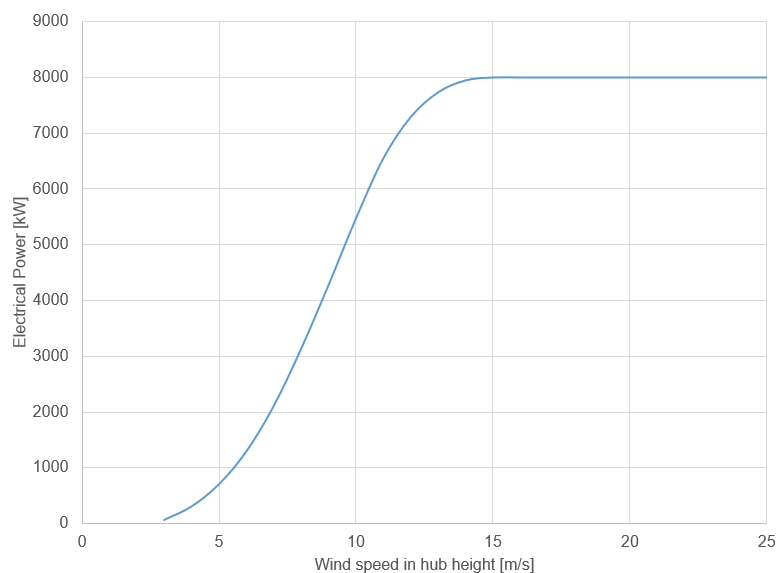
POWER CURVES*

V _{WIND} [m/s]	Power [kW]
3	72
4	313
5	710
6	1297
7	2111
8	3135
9	4277
10	5469
11	6548
12	7290
13	7733
14	7947
15	8000
25	8000

ANNUAL YIELD*

V _{WIND} [m/s]	Yield [MWh]
5.0	11247
5.5	14271
6.0	17406
6.5	20560
7.0	23657
7.5	26640
8.0	29469
8.5	32112
9.0	34545
9.5	36751
10.0	38718

* Standard conditions and calculations acc. to IEC 61400-12



Editor:

W2E Wind to Energy GmbH
Grubenstraße 44

18055 Rostock | Germany

www.wind-to-energy.de