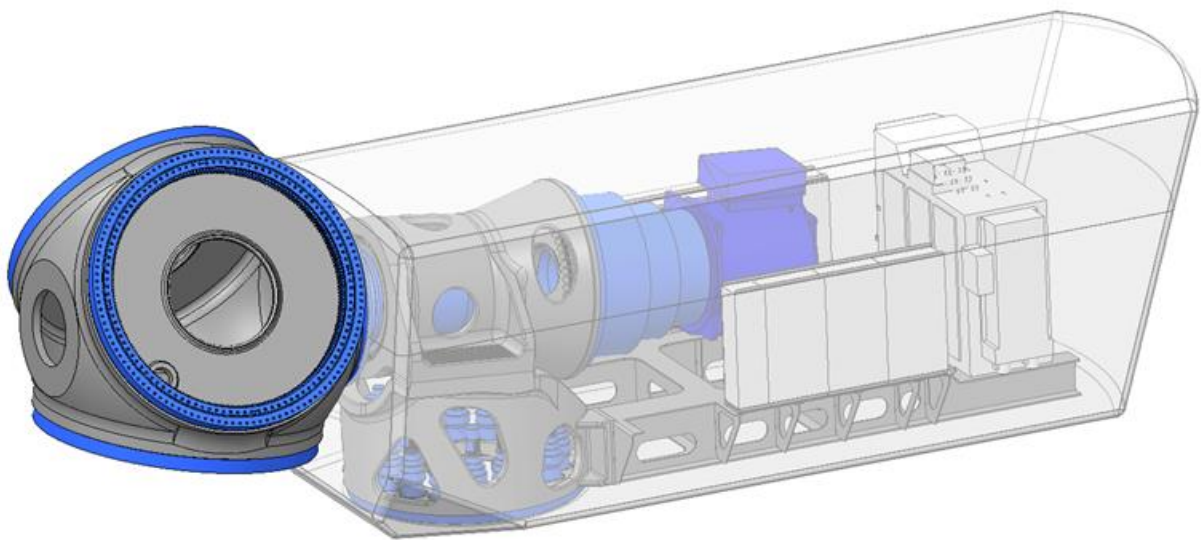


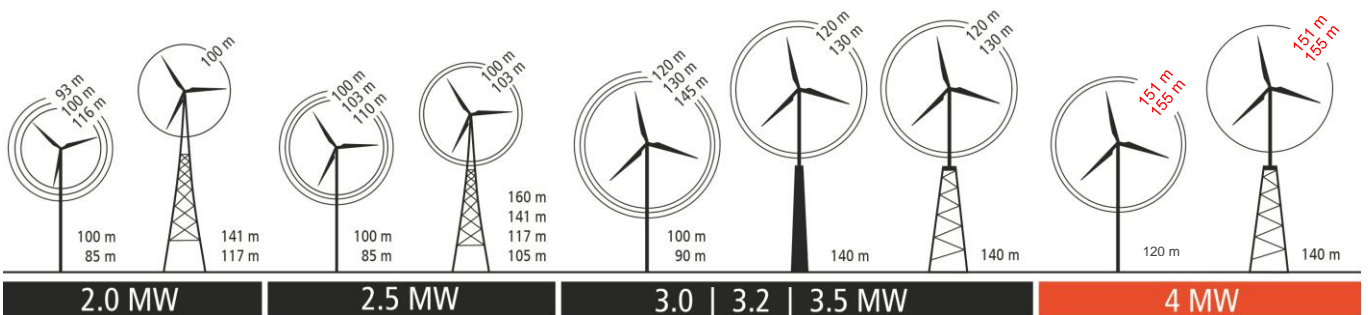
Rated power: 9.0 MW  
 Rotor diameter: 215 m  
 Wind class: IEC 3a / 2b



**TECHNOLOGY ON DEMAND**



Nacelle Configuration shown: 4-Point Support (2TRB) with Medium-speed PMG, Full Nacelle Cover



## TECHNICAL DATA

Rated power	9.0 MW (higher power ratings optional)
Rotor	215 m
Wind class	IEC 3a / 2b (offshore class optional)
Cut-in wind speed	3 m/s
Rated wind speed	13 m/s
Cut-out wind speed	25 m/s
Sound power	Subject to selected power rating
Hub height	Up to 170m
Drive train concept	2TRB or 3-Row CRB / 2-Row TRB, <b>LARUS Compact</b> <sup>®</sup>
Electrical configuration	Medium-speed PMG or DFIG, SCIG / IGBT converter
Power control - LARUS Smart <sup>®</sup>	Triple independent pitch system
Safety System - LARUS Safe <sup>®</sup>	Matrix safety system acc. to GL guideline, ed. 2010

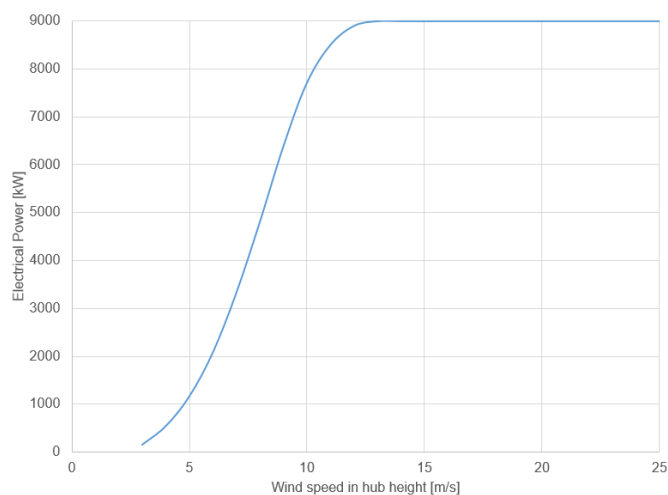
## POWER CURVES\*

V <sub>WIND</sub> [m/s]	Power [kW]
3	147
4	534
5	1154
6	2070
7	3318
8	4800
9	6380
10	7708
11	8503
12	8902
13	9000
14	9000
15	9000
25	9000

## ANNUAL YIELD\*

V <sub>WIND</sub> [m/s]	Yield [MWh]
5.0	16793
5.5	20809
6.0	24811
6.5	28693
7.0	32382
7.5	35833
8.0	39021
8.5	41932

\* Standard conditions and calculations acc. to IEC 61400-12



## Editor:

W2E Wind to Energy GmbH  
Grubenstraße 44

18055 Rostock | Germany

[www.wind-to-energy.de](http://www.wind-to-energy.de)